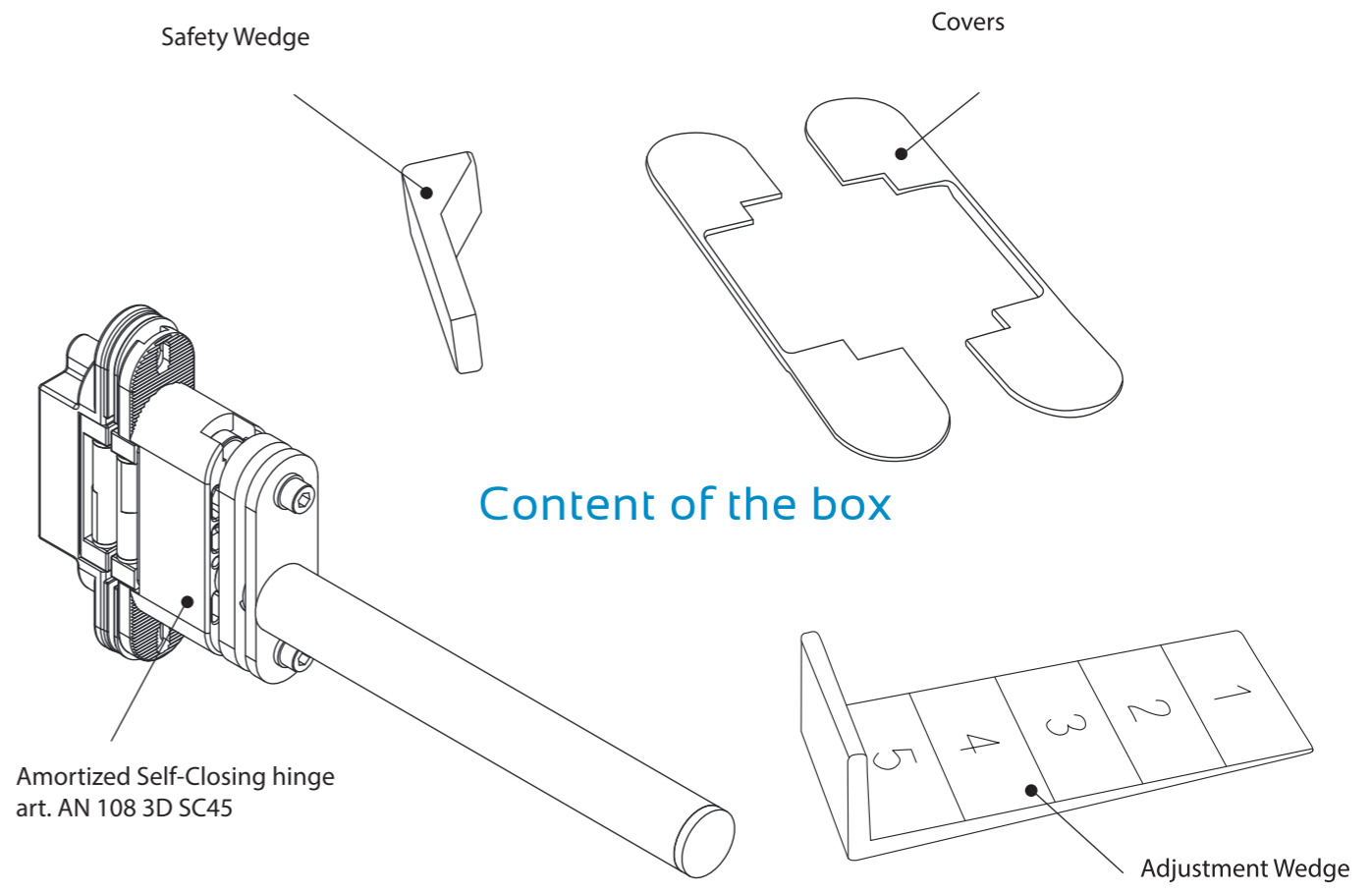
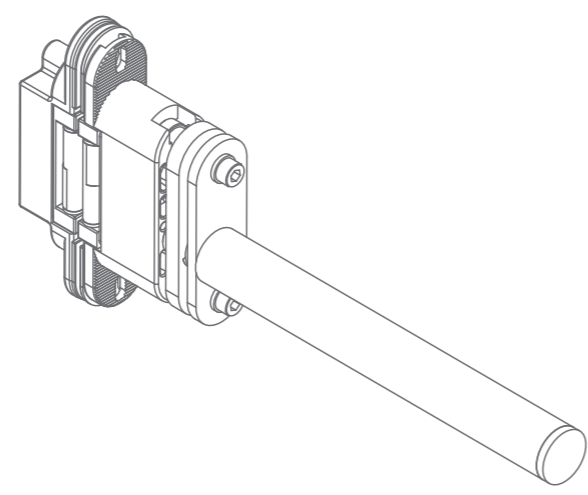


If made from a honeycomb panel just pass the wooden part, the honeycomb can be broken down during installation

Milling drawings



SIMONSWERK



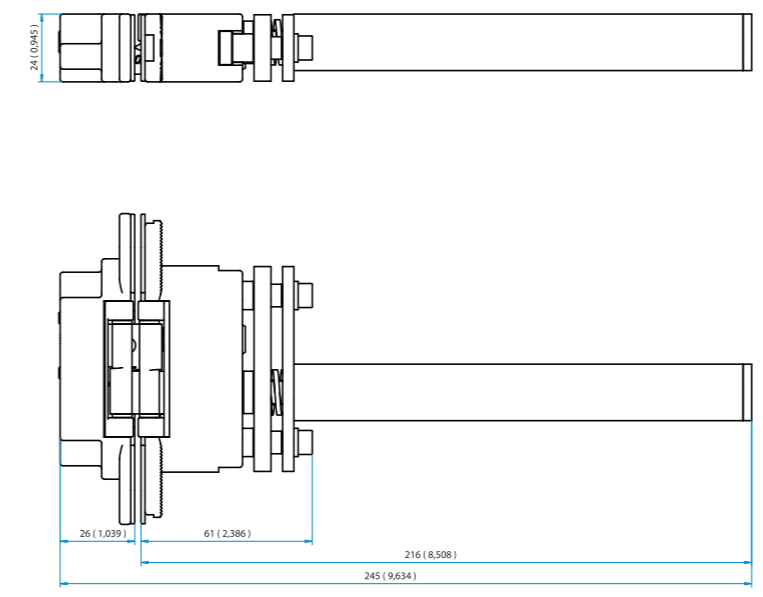
Amortized Self-Closing Hinge

DIT_SP_042 rev.1 13/09/2023

SIMONSWERK

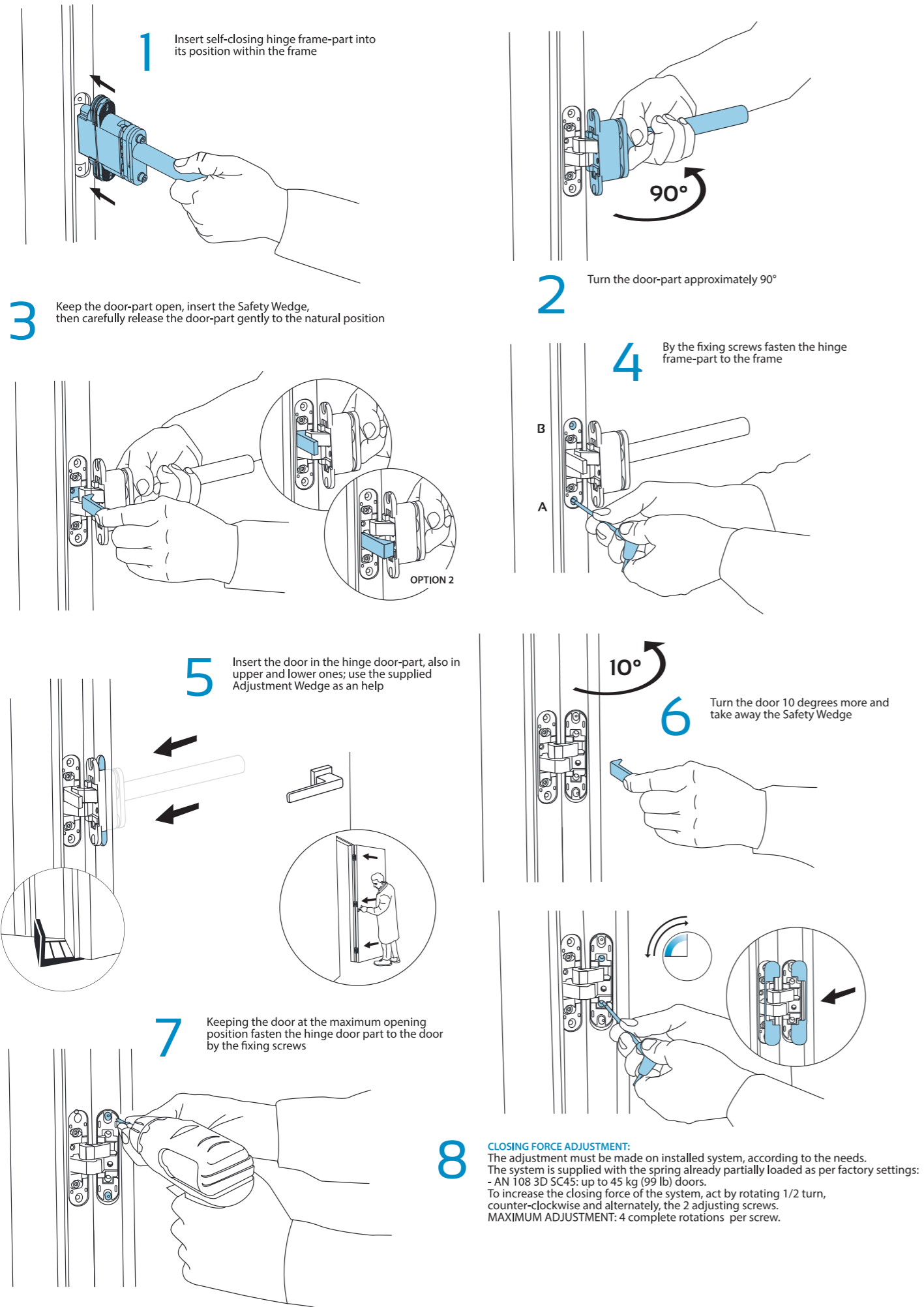
Anselmi & C. S.r.l.
Via Ca' Morelli, 19
31056 Roncade (TV)
Italy
+39 0422 707426
www.anselmisrl.it

AN 108 3D SC45 up to 45 Kg (99 lb) doors



IMPORTANT NOTES
System tested on internal doors size 2100 x 900 mm (84" x 36").
Maximum weight of the door leaf indicated for the selected system must be respected.
Install the self-closing hinge in the center of the door and exclusively in combination with the indicated Anselmi's hinges:
- AN 108 3D SC45 system usable in combination with hinges model AN 140 3D, AN 160 3D.
Check the hinge capacity load tables.
The closing system is deactivated by opening the door more than about 120°.
Use of magnetic door locks is suggested.
Do not install more than one self-closing hinge for each door.
Installation and adjustment must be carried out with the tools supplied and exclusively by a professional technician.
In case of doubt, contact the company.

ASSEMBLY INSTRUCTIONS



DISASSEMBLY INSTRUCTIONS

ATTENTION: assembly and disassembly of self-closing hinge must only be carried out by qualified personnel and in strict accordance with the given instructions.

