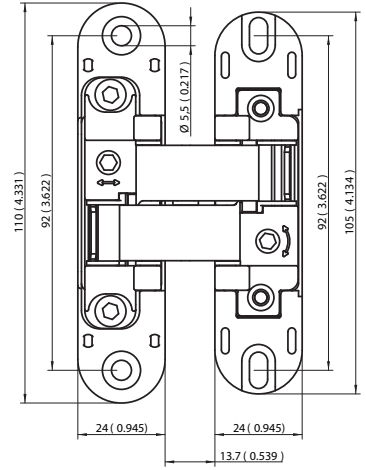
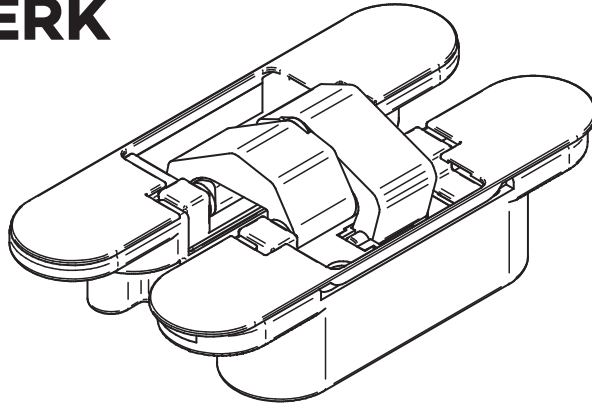


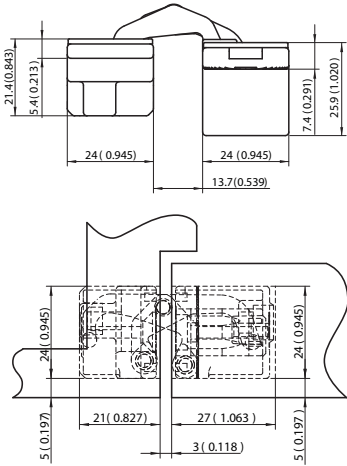
SIMONSWERK

Anselmi & C. S.r.l.
Via Ca' Morelli, 19
31056 Roncade (TV)
Italy
+39 0422 707426
www.anselmisrl.it



AN 170 3D

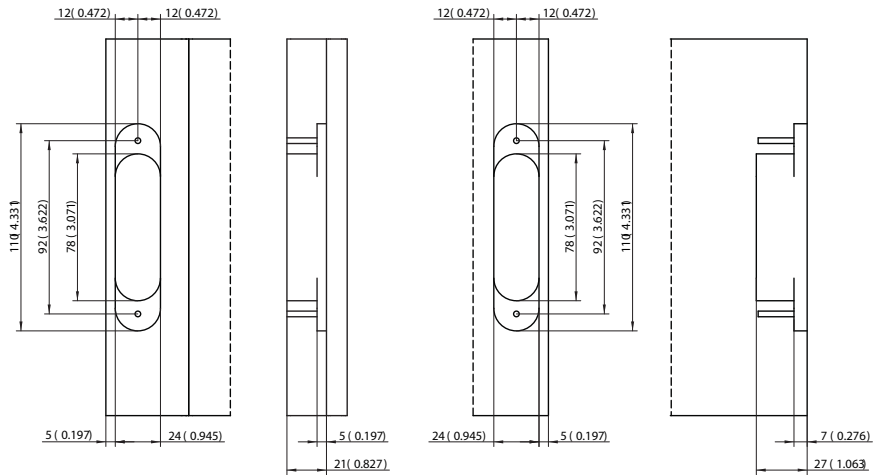
DIT_SP_039 rev.1 13/09/2023



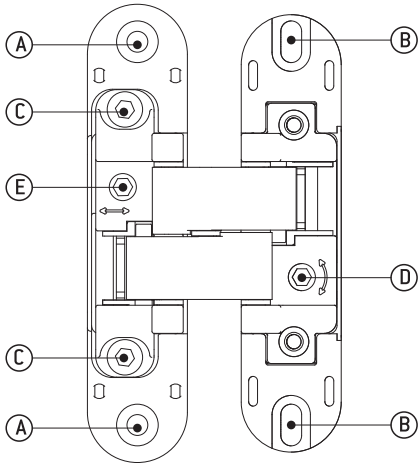
MILLING

Frame

Door



Screw Information



A Screw hole for the hinge to the frame.

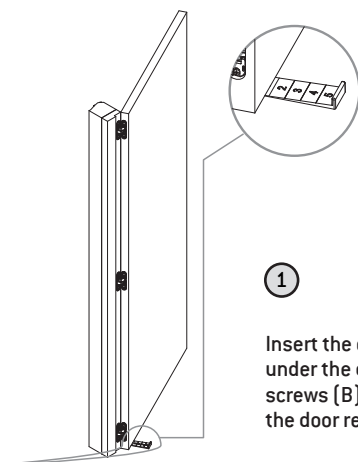
D Self-locking screw for side adjustment.

B Oval holes for vertical adjustment and anchoring to the door.

E Depth adjustment screw.

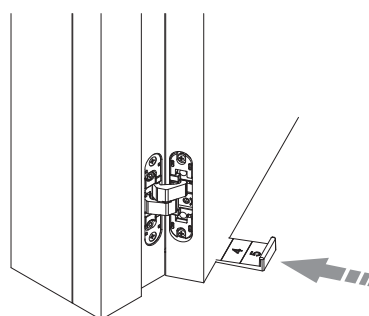
C Clamping screw for depth adjustment screw.

Height Adjustment



1

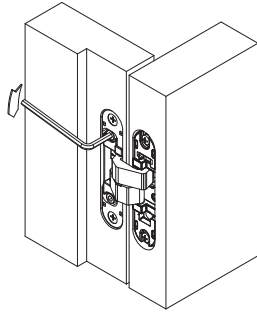
Insert the optional adjustment wedge under the door and unscrew the anchoring screws (B) of the hinge on the door; the door rests on the wedge.



2

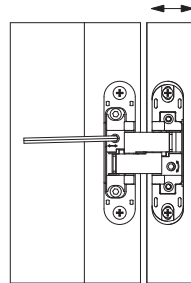
Slide the wedge under the door until the desired height is achieved, re-tighten the screws.

Depth Adjustment



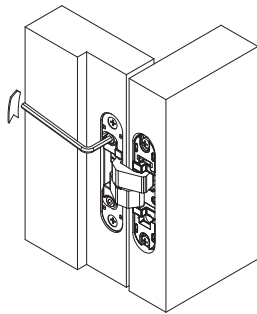
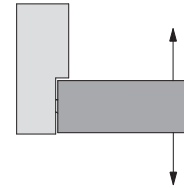
1

Loosen the two clamping screws (C).



2

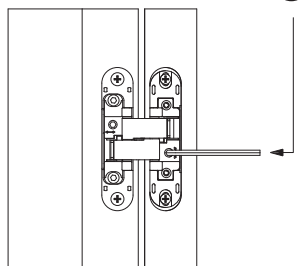
Turn the depth adjustment screw (E) to the desired compression.



3

Tighten the two clamping screws (C).

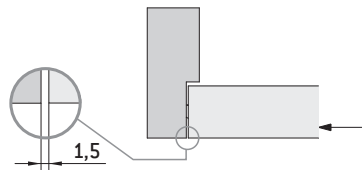
Side Adjustment



1

2

Turn the side adjustment screw (D) clockwise for decreasing the air gap by a max. of 1.5 mm (.059").



2

Turn the side adjustment screw (D) counterclockwise for increasing the air gap by a max. of 1.5 mm (.059").

